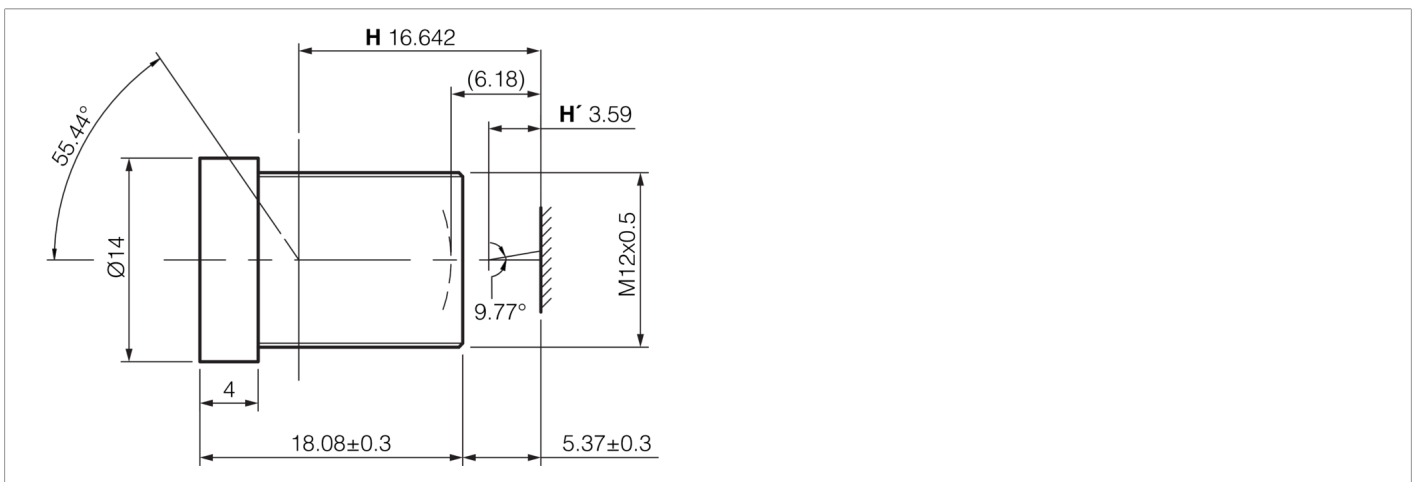


- IR-cut filter coating
- Light shutter
- High resolution
- Robust design



Technical data (typ.)		+20°C
Length		18,08 mm
Diameter		Ø 14 mm (Diameter)
Lens connection		S-mount
Filter thread		M12 x 0,5
Wavelength		400 ... 950 nm
Focal length		3,6 mm
Aperture (F)		8,0
First principal plane		16,642 mm
Second principal plane		3,59 mm
Angle of view (object)		55,44°
Angle of view (image)		9,77°
Aperture type		Fixed
Sensor size		1/2.5"
Resolution		5 Megapixel
Working distance		endless
Temperature resistance		-20 ... +65 °C
<b>More information / accessories</b>		<a href="https://www.di-soric.com/213095">https://www.di-soric.com/213095</a>