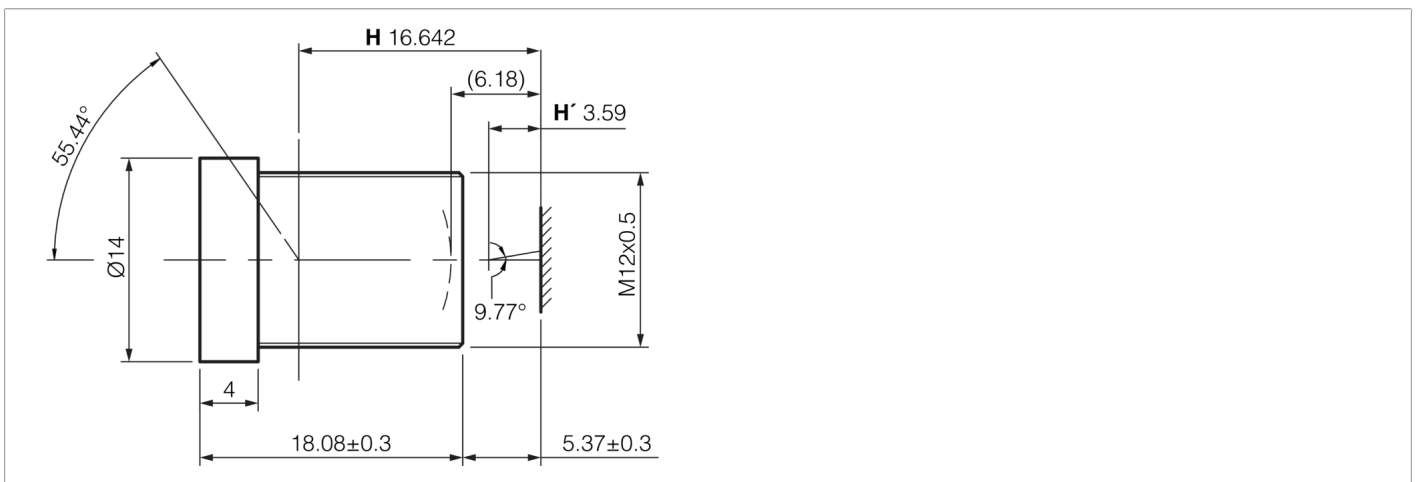




213094
O-S1-S-036-40
Lens

- IR-cut filter coating
- Light shutter
- High resolution
- Robust design



Technical data (typ.)	+20°C
Length	18,08 mm
Diameter	$\varnothing 14$ mm (Diameter)
Lens connection	S-mount
Filter thread	M12 x 0,5
Wavelength	400 ... 950 nm
Focal length	3,6 mm
Aperture (F)	4,0
First principal plane	16,642 mm
Second principal plane	3,59 mm
Angle of view (object)	$55,44^\circ$
Angle of view (image)	$9,77^\circ$
Aperture type	Fixed
Sensor size	1/2.5"
Resolution	5 Megapixel
Working distance	endless
Temperature resistance	-20 ... +65 °C
More information / accessories	https://www.di-soric.com/213094