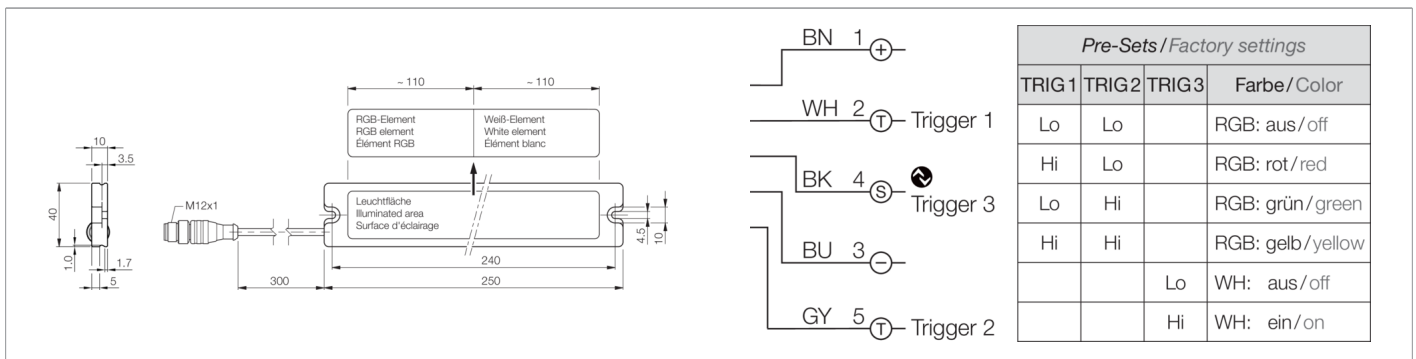




**212780**  
**MB-RGBW-251-K-B5**  
**Machine lighting with signal lighting element**

- High light intensity thanks to state-of-the art Power LEDs
- Easy operation is also possible without IO-Link
- Very good color reproduction guarantees safety at the workplace (color rendering index 85)
- Large light field for optimal display of the machine status
- Freely configurable functions via IO-Link
- Long life thanks to intelligent thermal management
- High-performance LEDs with very high light intensity ensure reliable and even illumination
- Can be used immediately thanks to three color pre-sets: red - green - yellow
- High protection type IP 67
- Pluggable diffusion filter optionally available



Pre-Sets / Factory settings			
TRIG 1	TRIG 2	TRIG 3	Farbe/Color
Lo	Lo		RGB: aus/off
Hi	Lo		RGB: rot/red
Lo	Hi		RGB: grün/green
Hi	Hi		RGB: gelb/yellow
		Lo	WH: aus/off
		Hi	WH: ein/on

Function											

Technical data (typ.)	+20°C, 24 V DC
Service voltage	24 V DC (Supply Class 2)
Internal power consumption	305 mA (24 V DC)
Power	7,3 W (24 V DC)
Inverse polarity protection	Yes
Illuminated area	220 x 30 mm
Housing material	Aluminum (natural, Anodized)
Weight	210 g
Protection class	III, operation on protective low voltage
Risk group (DIN EN 62471)	Free group
Model	Machine lighting with signal lighting element
Product series	MB-RGBW
Operation modes	RGB: constant, blinking, flashing
Light intensity can be adjusted	via IO-Link
Trigger input high level	> 8,0 V
Trigger input low level	< 5,0 V
Trigger input	White: selectable via trigger 3
Interface	<ul style="list-style-type: none"> <li>■ IO-Link (V1.1, COM2 38.4 kBd, 2,300 µs)</li> <li>■ For parameterization</li> </ul>
Color	RGB (user-defined)
Deflection angle FWHM	120°
Luminous flux	440 lm
Light intensity	<ul style="list-style-type: none"> <li>■ 0,720 kLx (500,0 mm / 100 %)</li> <li>■ 0,220 kLx (1000,0 mm / 100 %)</li> </ul>
Shock/vibration load	30 g, 11 ms / 10 ... 55 Hz, 1,0 mm

**212780****MB-RGBW-251-K-B5****Machine lighting with signal lighting element****Technical data (typ.)****+20°C, 24 V DC**

Ambient temperature during operation

0 ... +40 °C

Protection type

IP 67

Connection

Pigtail, 0,3 m, M12, 5-pin

Connection cable

VK ... /5

**More information / accessories**<https://www.di-soric.com/212780>