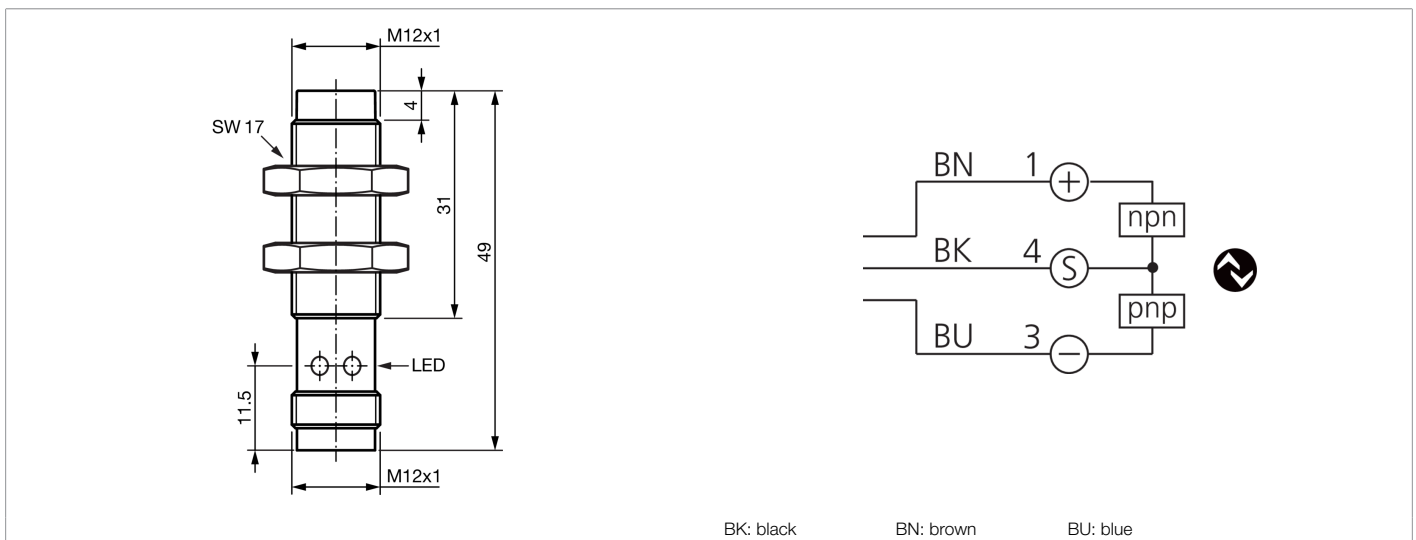




212681
KNS M12KM 8N G3-B3
Capacitive proximity switch

- Large operating distance
- Detection of liquids, powdery and solid materials
- Detecting metal and non-metal parts
- Detection possible even through containers and packaging
- Sensitivity adjustable via IO-Link
- NO/NC, switchable via IO-Link
- Push-pull output pnp + npn
- Robust nickel-plated brass housing
- Short design



Function										

Technical data (typ.)	+20°C, 24 V DC
Service voltage	18 ... 30 V DC
No-load current (max.)	15 mA (24 V DC)
Insulation voltage endurance	500 V
Installation type	non-flush
Thread	M12 x 1
Housing length	49 mm
Housing material	Brass (nickel-plated)
Material	PBT (Sensor probe)
Weight	11 g
Protection class	III, operation on protective low voltage
Operating principle	Capacitive
Design	Thread
Operation modes	STANDARD, HIGH RESOLUTION, SPEED
Scope of delivery	2 x M12 nuts
Switching output	Push-pull, 100 mA, NO/NC, switchable via IO-Link
Voltage drop (max.)	2 V
Interface	IO-Link
Switching distance (SN)	8 mm (0.3 to 12 mm adjustable via IO-Link)
Standardized measuring plate	24 x 24 mm
Switching hysteresis (max.)	< 15 %



212681

KNS M12KM 8N G3-B3

Capacitive proximity switch

Technical data (typ.)	+20°C, 24 V DC
Sensitivity adjustment	IO-Link
Display	LED yellow - Output signal
Switching frequency (factory setting)	100 Hz (STANDARD)
Switching frequency (STANDARD)	100 Hz
Switching frequency (HIGH RESOLUTION)	10 Hz
Switching frequency (SPEED)	200 Hz
Readiness delay (max.)	300 ms
Shock/vibration load	30 g, 10 ... 55 Hz / 0,5 mm
Ambient temperature during operation	-20 ... +70 °C
Protection type	IP 65 / IP 67
Connection	Connector, M12, 3-pin
More information / accessories	https://www.di-soric.com/212681