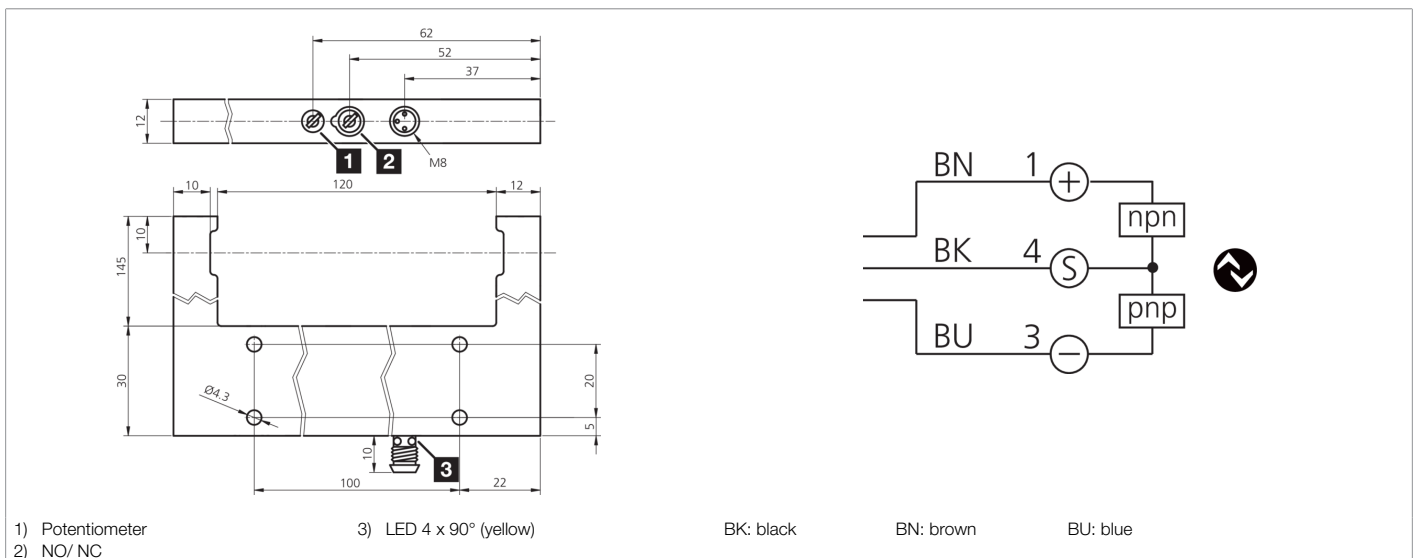




212817
OGU 121/145 G3-T3
Fork light barrier

- 4 operating modes as an IO-Link parameter
- Switch-on/off delay as an IO-Link parameter
- Diagnostics with IO-Link
- Metal casing
- Sensitivity is adjustable
- High switching frequency
- Light/dark switching
- Bright ring LED
- High protection type
- 5-year warranty



Function									

Technical data (typ.)	+20°C, 24 V DC
Service voltage	10 ... 30 V DC (Supply Class 2)
No-load current (max.)	30 mA
Insulation voltage endurance	500 V
Leg length internal	145 mm
Housing dimensions	144 x 175 x 12 mm
Housing length	175 mm
Housing height	144 mm
Housing width	12 mm
Housing material	Aluminum (Black, Anodized)
Protection class	III, operation on protective low voltage
Operating principle	Optical
Evaluation	digital
Design	Fork
Operation modes	STANDARD, HIGH RESOLUTION, POWER, SPEED
Switching output	Push-pull, 100 mA, NO/NC, switchable
Interface	IO-Link (V1.1, COM2 38.4 kBd, Smart Sensor Profile)
Light source	LED
Color	red
Modulation	Clocked



212817
OGU 121/145 G3-T3
Fork light barrier

Technical data (typ.)	+20°C, 24 V DC
Fork opening	120 mm
Resolution (factory setting)	0,5 mm (STANDARD)
Reproducibility (factory setting)	0,02 mm (STANDARD)
Resolution (STANDARD)	0,5 mm
Reproducibility (STANDARD)	0,02 mm
Resolution (HIGH RESOLUTION)	0,3 mm
Reproducibility (HIGH RESOLUTION)	0,02 mm
Resolution (POWER)	1,5 mm
Reproducibility (POWER)	0,02 mm
Resolution (SPEED)	0,5 mm
Reproducibility (SPEED)	0,02 mm
Sensitivity adjustment	Potentiometer or IO-Link
Switching frequency (factory setting)	5.000 Hz (STANDARD)
Switching frequency (STANDARD)	5.000 Hz
Switching frequency (HIGH RESOLUTION)	1.500 Hz
Switching frequency (POWER)	250 Hz
Switching frequency (SPEED)	8.000 Hz
Ambient temperature during operation	-25 ... +60 °C
Protection type	IP 67
Connection	Connector, M8, 3-pin
Connection cable	TK ...
More information / accessories	https://www.di-soric.com/212817