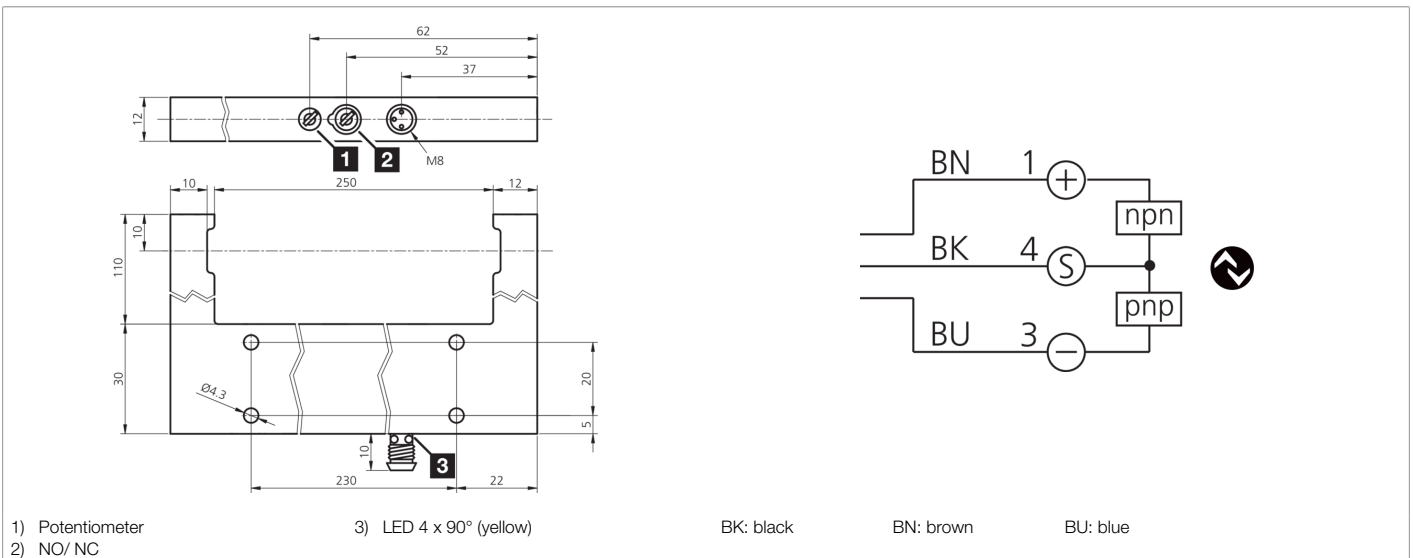




**210529**  
**OGU 251 G3-T3**  
**Fork light barrier**

- 4 operating modes as an IO-Link parameter
- Switch-on/off delay as an IO-Link parameter
- Diagnostics with IO-Link
- Metal casing
- Sensitivity is adjustable
- High switching frequency
- Light/dark switching
- Bright ring LED
- High protection type
- 5-year warranty



Function										

Technical data (typ.)	+20°C, 24 V DC
Service voltage	10 ... 30 V DC
No-load current (max.)	30 mA
Insulation voltage endurance	500 V
Leg length internal	110 mm
Housing dimensions	274 x 140 x 12 mm
Housing length	140 mm
Housing height	274 mm
Housing width	12 mm
Housing material	Aluminum (Black, Anodized)
Protection class	III, operation on protective low voltage
Operating principle	Optical
Evaluation	digital
Design	Fork
Operation modes	STANDARD, HIGH RESOLUTION, POWER, SPEED
Switching output	Push-pull, 100 mA, NO/NC, switchable
Interface	IO-Link (V1.1, COM2 38.4 kBd, Smart Sensor Profile)
Light source	LED
Color	red
Modulation	Clocked



**210529**  
**OGU 251 G3-T3**  
**Fork light barrier**

Technical data (typ.)	+20°C, 24 V DC
Fork opening	250 mm
Resolution (factory setting)	1 mm (STANDARD)
Reproducibility (factory setting)	0,03 mm (STANDARD)
Resolution (STANDARD)	1 mm
Reproducibility (STANDARD)	0,03 mm
Resolution (HIGH RESOLUTION)	0,8 mm
Reproducibility (HIGH RESOLUTION)	0,03 mm
Resolution (POWER)	1,5 mm
Reproducibility (POWER)	0,03 mm
Resolution (SPEED)	1 mm
Reproducibility (SPEED)	0,03 mm
Sensitivity adjustment	Potentiometer or IO-Link
Switching frequency (factory setting)	5.000 Hz (STANDARD)
Switching frequency (STANDARD)	5.000 Hz
Switching frequency (HIGH RESOLUTION)	1.500 Hz
Switching frequency (POWER)	250 Hz
Switching frequency (SPEED)	6.500 Hz
Ambient temperature during operation	-25 ... +60 °C
Protection type	IP 67
Connection	Connector, M8, 3-pin
Connection cable	TK ...
<b>More information / accessories</b>	<a href="https://www.di-soric.com/210529">https://www.di-soric.com/210529</a>