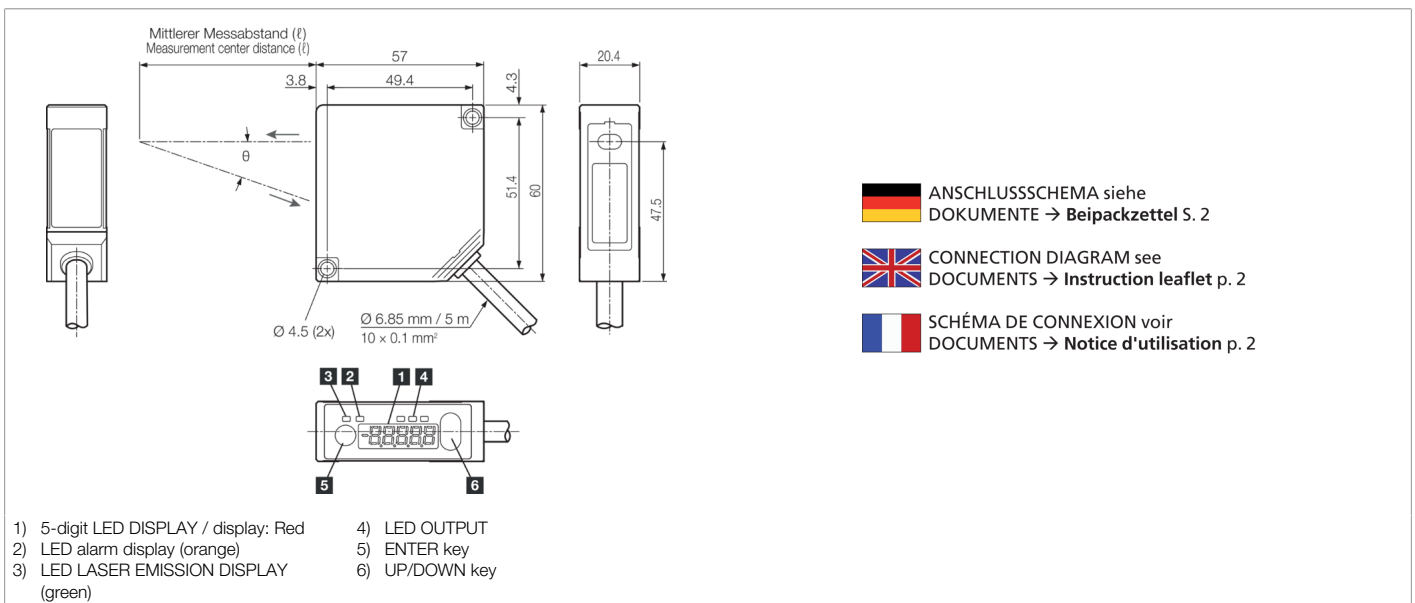




**206992**  
**LAT 61 K 85/40 IUPN**  
**Laser distance sensors**

- High precision
- Fast distance measurement
- Measured values on display
- 2 analog and 3 digital outputs
- Timing/ and multifunction input
- Light design for mounting on moving parts
- Measured values on display



Function											

Technical data (typ.)	+20°C, 24 V DC
Service voltage	21,6 ... 26,4 V DC
No-load current (max.)	100 mA
Insulation voltage endurance	250 V
Housing dimensions	60 x 57 x 20 mm
Housing material	Plastic
Material window / optics	Plastic
Weight	320 g
Protection class	III, operation on protective low voltage
Design	Cuboid design
Switching output	pnp/npn (3x), 50 mA, NO/NC, configurable
Voltage drop (max.)	2,8 V
Analog output	0 ... 10 V, 4 ... 20 mA
Light source	Laser
Laser class	2 (IEC 60825-1)
Color	red
Wavelength	665 nm
Light spot size	0.75 x 1.25 mm
Measuring range	65 ... 105 mm

**206992****LAT 61 K 85/40 IUPN****Laser distance sensors**

<b>Technical data (typ.)</b>	<b>+20°C, 24 V DC</b>
Resolution	0,0025 mm (Median value 1024)
Linearity error	± 0,04 mm (Median value 1024)
Sensitivity adjustment	Keypad
Display	LED (Output status) Green - Status, yellow - Switching output, Red - Signal weak, orange - Signal weak
Measuring frequency	500 ... 5.000 Hz
Ambient temperature during operation	-10 ... +45 °C
Temperature drift	0,08 %/K
Vibration/shock resistance	10 ... 500 Hz / 1,5 mm / 10 G
Protection type	IP 67
Connection	Cable, 5,0 m, 10-pin (Shielded, flying leads)
<b>More information / accessories</b>	<b><a href="https://www.di-soric.com/206992">https://www.di-soric.com/206992</a></b>