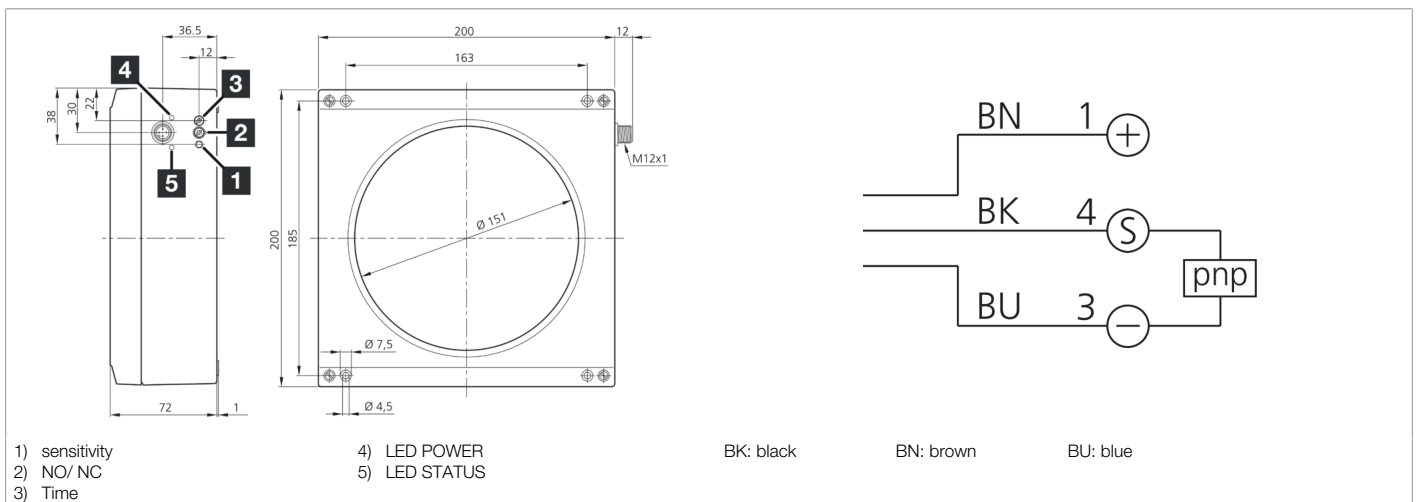
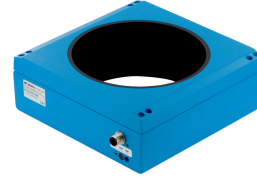




**204351**  
**IRD 150 PSOK-IBS**  
**Inductive ring sensor**

- High resolution
- Short response time
- Sensitivity and pulse stretching adjustable
- Resistant to dirt
- Dynamic operating principle
- Metal connector
- High protection type



Function													

Technical data (typ.)	+20°C, 24 V DC
Service voltage	10 ... 35 V DC (Supply Class 2)
No-load current (max.)	20 mA
Insulation voltage endurance	1.000 V
Internal diameter	151 mm
Assembly distance to metal (min.)	80 mm
Housing material	Die-cast aluminum
Material	POM (Ring)
Protection class	III, operation on protective low voltage
Operating principle	inductive
Evaluation	Dynamic
Switching output	pnp, 200 mA, NO/NC, switchable
Voltage drop (max.)	2 V
Pulse stretching	0,1 ... 150 ms adjustable
Resolution	Ø 10,0 mm
Sensitivity adjustment	Potentiometer
Speed of parts (max.)	25 m/s
Speed of parts (min.)	0,1 m/s
Response time	0,20 ms
Release time	0,20 ms
Ambient temperature during operation	0 ... +50 °C
Protection type	IP 67



**204351**  
**IRD 150 PSOK-IBS**  
**Inductive ring sensor**

**Technical data (typ.)**

**+20°C, 24 V DC**

Connection

Connector, M12, 4-pin

Connection cable

VK ...

**More information / accessories**

<https://www.di-soric.com/204351>