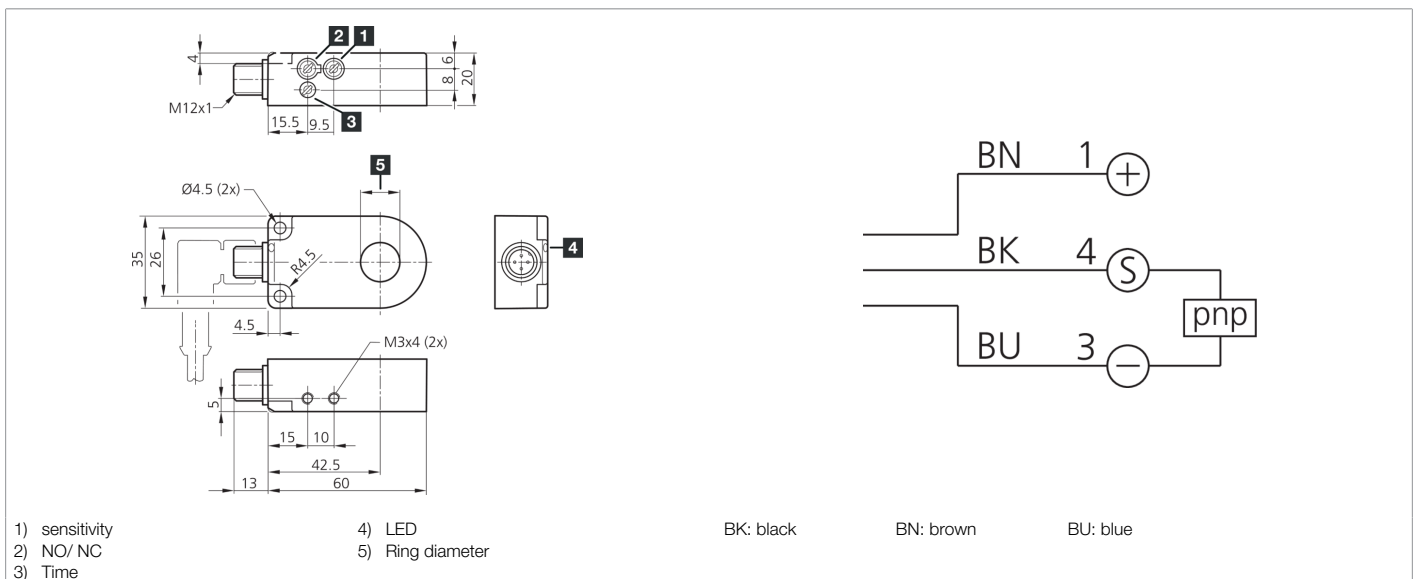




203558
IRD 10 PSOK-IBS
Inductive ring sensor

- High resolution
- Short response time
- Sensitivity and pulse stretching adjustable
- Resistant to dirt
- Dynamic operating principle
- Metal connector
- High protection type



Function													

Technical data (typ.)		+20°C, 24 V DC
Service voltage		10 ... 35 V DC (Supply Class 2)
No-load current (max.)		11 mA
Insulation voltage endurance		1.000 V
Internal diameter		10,1 mm
Assembly distance to metal (min.)		5 mm
Housing material		Plastic (PA)
Material		POM (Ring)
Protection class		III, operation on protective low voltage
Operating principle		inductive
Evaluation		Dynamic
Switching output		pnp, 200 mA, NO/NC, switchable
Voltage drop (max.)		2 V
Pulse stretching		0,1 ... 150 ms adjustable
Resolution		Ø 0,6 mm
Sensitivity adjustment		Potentiometer
Speed of parts (max.)		35 m/s
Speed of parts (min.)		0,1 m/s
Response time		0,20 ms
Release time		0,20 ms



203558

IRD 10 PSOK-IBS

Inductive ring sensor

Technical data (typ.)

+20°C, 24 V DC

Ambient temperature during operation

-25 ... +70 °C

Protection type

IP 67

Connection

Connector, M12, 4-pin

Connection cable

VK ...

More information / accessories

<https://www.di-soric.com/203558>